

## Warewashing Small Single Skin GW, rinse aid dispenser & drain pump,30b/h

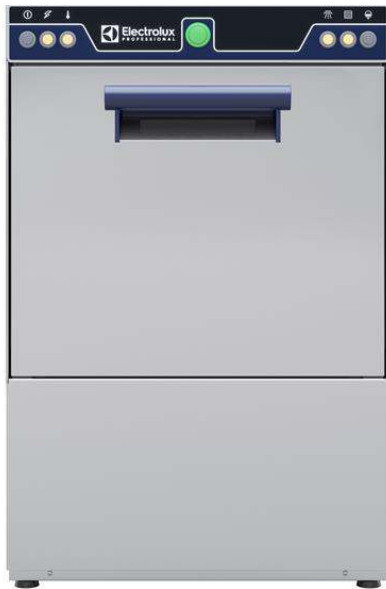
ITEM # \_\_\_\_\_

MODEL # \_\_\_\_\_

NAME # \_\_\_\_\_

SIS # \_\_\_\_\_

AIA # \_\_\_\_\_


**402289 (ESP)**

 Glasswasher (small), with  
 single skin, rinse aid  
 dispenser and built-in drain  
 pump,1 cycle, 30b/h

### Short Form Specification

**Item No.** \_\_\_\_\_

Unit shall be Glasswasher type hot water rinsing using rack dimension of 400\*400mm. Electrical characteristics to be 230 volts single phase 50Hz operation with one wash cycle of 120 seconds. Washing performance is ensured by a powerful wash pump and revolving washing spray arm on bottom. Upper rinsing and lower integrated washing & rinsing arms in composite material. Rinse temperature and pressure guaranteed by built in pressure boiler. Double skinned counter-balance door. Large door opening of 290mm for washing tall glasses. Single skinned cabinet. Welded washing tank with round corners. 304 stainless steel construction to include door & frame. The unit shall include drain pump, rinse aid dispenser pumps and is equipped with electric cable with Schuko plug.

### Main Features

- Built-in rinse aid dispenser with automatic initial and continuous cycle loading for perfect result while minimizing service and maintenance needs.
- 120 seconds cycle.
- Built-in pressure boiler designed to raise incoming water to a guaranteed minimum temperature of 82° C for sanitizing rinse. No external boiler is required.
- Maximum capacity of 30 racks per hour.
- Equipped with single phase electrical cable and Schuko plug for easy and fast installation.
- Easy service access to main components without moving the unit.
- Equipped with drain pump for easy and quick installation without opening the machine.
- Washing system endowed with rotating washing arms, high powered wash pump and large capacity wash tank for professional washing.
- Welded wash tank, sloped towards the drain, provides fast drainage in only a few minutes and guarantee a water tight solution.

### Construction

- Completely closed on the back by a cover plate.
- Unit to feature rinse aid dispenser pump.
- Internal components (arms and filter) are easy extractable.
- Robust structure thanks to stainless steel construction.

### Sustainability

- Insulated double skin door construction preserves heat inside the tank to lower energy consumption and the noise. Counter-balance mechanism minimizes impact when opening and closing.
- Finished in top quality materials to ensure durability.
- Simple operation control panel.

**APPROVAL:** \_\_\_\_\_

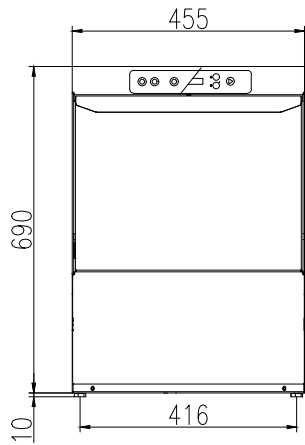
**Included Accessories**

- 1 of Square basket for glasses 400x400x150mm PNC 864470
- 1 of Insert for 12 saucers, 290X90x75mm PNC 867048
- 1 of Square cutlery container, 89x113x113mm PNC 867049

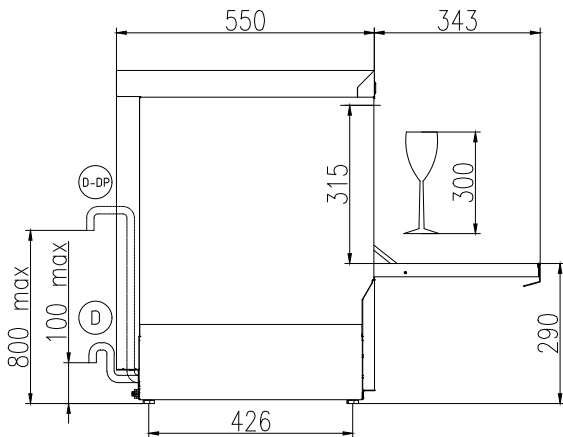
**Optional Accessories**

- Square basket for glasses, 400x400x1100mm PNC 867039
- Inclination insert for glasses, 400x180mm PNC 867044
- Round basket for glasses, 400x180mm PNC 867047
- Inclination insert for glasses 400x400 mm PNC 867069
- Kit detergent dispenser for Single Skin XS and Single Skin S Glasswasher PNC 867072

Front

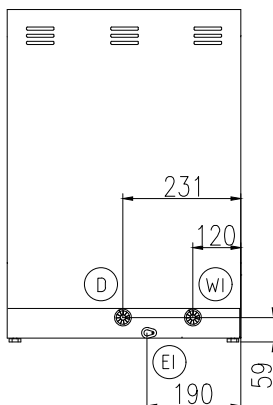


Side



CWII = Cold Water inlet 1 (cleaning)  
 D = Drain  
 EI = Electrical inlet (power)  
 EO = Electrical Outlet  
 WI = Water inlet  
 XR = Rinse aid connection

Rear side



### Electric

Supply voltage:	
402289 (ESP)	220-240 V/1 ph/50 Hz
Default Installed Power:	2.7 kW
Boiler heating elements:	2.7 kW
Tank heating elements:	2.4 kW
Wash pump size:	0.2 kW

### Water:

Pressure, bar min/max:	2-5 bar
Drain line size:	29mm
Washing tank capacity (lt):	12
Boiler Capacity (lt):	3
Incoming water line size:	3/4"

### Key Information:

Baskets per hour*:	30
Working cycles time (sec.):	120
Wash temperature:	60°C
Cell dimensions - width:	405 mm
Cell dimensions - depth:	437 mm
Cell dimensions - height:	315 mm
Rinse temperature:	85 °C
External dimensions, Width:	455 mm
External dimensions, Depth:	550 mm
External dimensions, Height:	700 mm
Net weight:	37.5 kg
Shipping weight:	42 kg
Shipping height:	850 mm
Shipping width:	540 mm
Shipping depth:	630 mm
Shipping volume:	0.29 m <sup>3</sup>

### Sustainability

Water supply temperature*:	10-50 °C
Water consumption per cycle (lt):	2
Noise level:	61 dBA